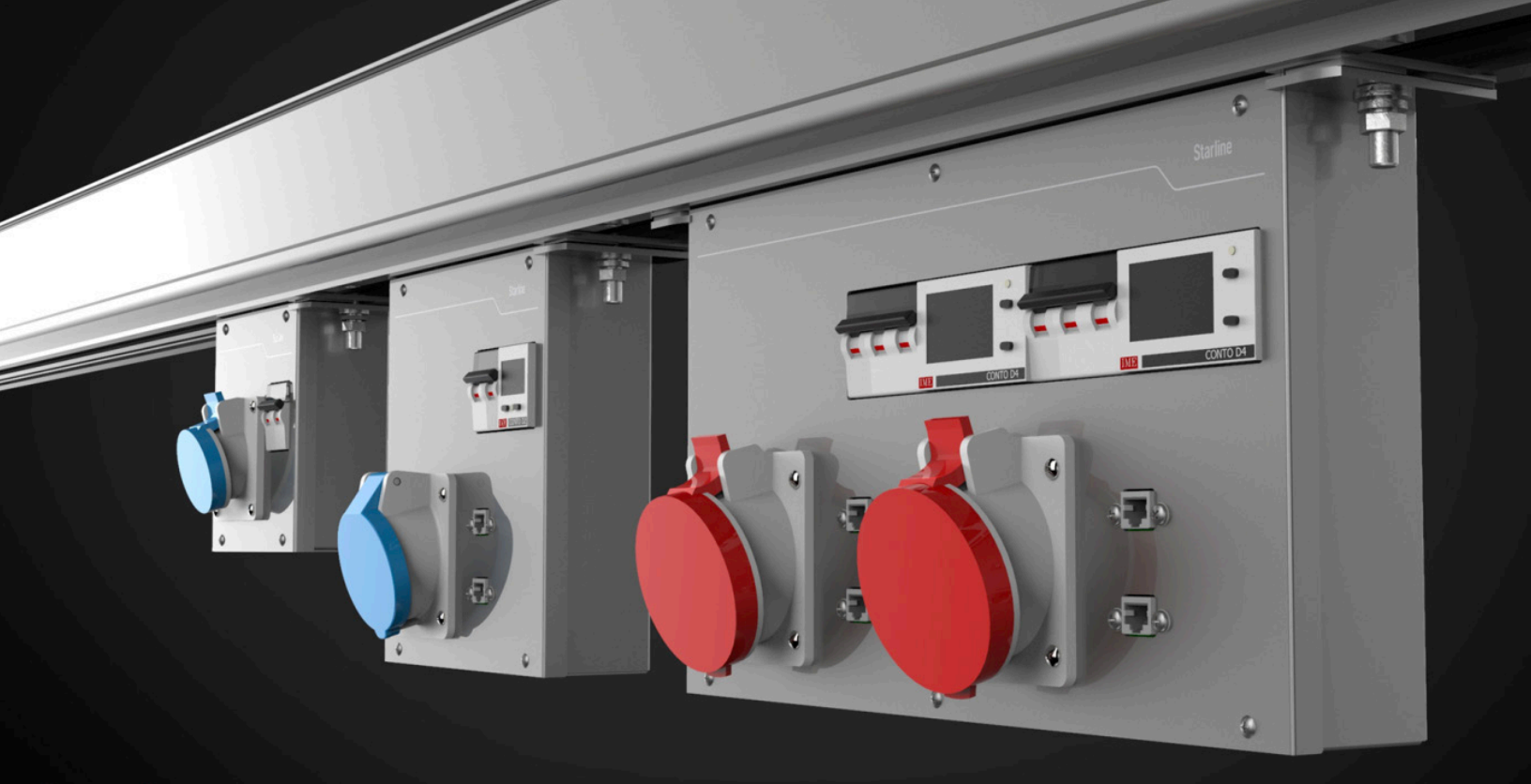




Starline[®]
A brand of  legrand

GLOBAL LEGRAND TAP-OFF BOX SERIES



Reliable, Flexible, & Critical Power.

The Global Legrand Tap-Off Box series consists of pre-engineered tap-off configurations to meet the most common data center applications.

This series includes all Legrand components in three standard-sized metal enclosures to support a quick and easy product selection and ordering process.

GENERAL SPECS.

- ✓ **All Tap-Off Boxes are compatible with Starline Track Busway T5 Series (250A to 1250A)**
- ✓ **Available with drop cord connectors or receptacles**
 - 1 or 2 receptacles per box
 - Up to 3 drop cord connectors per box
 - 3-Wire or 5-Wire options
- ✓ **16A and 32A circuit breaker options**
- ✓ **MID meter options available**
- ✓ **3 enclosure size options**
- ✓ **Over 500 pre-engineered options**
- ✓ **6 cord length options (1-6 meters)**

For all other inquiries and options please consult factory.

Global Legrand Component Technical Specifications

LEGRAND DX³ MCB

Legrand's premium line of DX³ Miniature Circuit Breakers is designed into the tap-off box to protect critical loads for each branch circuit.

- ✓ Complies with IEC/EN 60947-2
- ✓ 16kA breaking capacity
- ✓ Trip Curve "C"
- ✓ 1-4 Poles options
- ✓ Current Ratings in tap-off boxes: 16, 32A
- ✓ 240/415V
- ✓ Fault current limiting
- ✓ For more information visit: legrand.com/ecatalogue/



IME CONTO MID METERS

IME, a Group brand of Legrand, provides high accuracy power metering for Starline's Global Tap-off Boxes.

- ✓ Front display for local readings
- ✓ Modbus RTU protocol
- ✓ Compliance:
 - Precision class: Class B active energy (EN 50470-1, -3)
 - Precision class: Class 2 reactive energy (EN/IEC 62053-23)
 - Electromagnetic compatibility: Tests in accordance with EN 50470-1, -3
 - Measurements conform to EN/IEC 61557-12; Class 0.5 for Current & Voltage
 - For more information visit: imeitaly.com



LEGRAND P 17 TEMPRA PRO

Legrand manufactures industry-leading wiring devices that are used in Starline Tap-offs.

- ✓ All Connectors and Receptacles conform to IEC 60309-1,2
- ✓ 3 Wire or 5 Wire up to 415V
- ✓ 50/60Hz
- ✓ 16 or 32 Amps
- ✓ All are rated for IP44 "Splashproof"



Global Legrand Enclosure Style Options

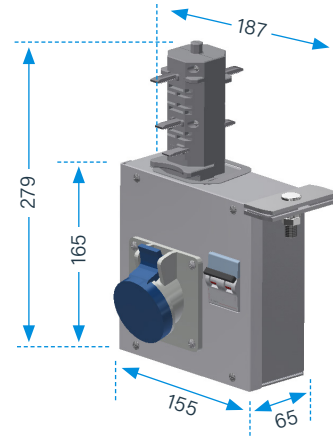
EB5 ENCLOSURE

Dimensions(mm):

- ✓ H: 165mm
- ✓ W: 187mm (side to hanger)
- ✓ D: 65mm

Configuration Options:

- ✓ 1 Receptacle, 16A or 32A, no meter
- ✓ Up to 2 connectors, 16A, no meters
- ✓ 1 Connector, 16A or 32A, with meter



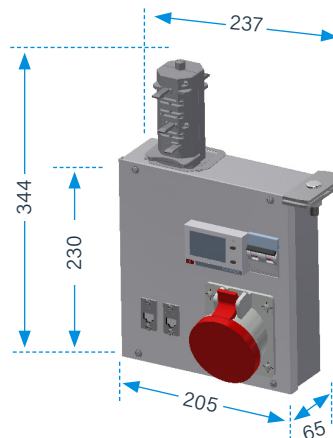
EB6 ENCLOSURE

Dimensions(mm):

- ✓ H: 230mm
- ✓ W: 237mm (side to hanger)
- ✓ D: 65mm

Configuration Options:

- ✓ 1 Receptacle, 16A or 32A, with meter
- ✓ 2 Receptacles, 16A or 32A, no meters
- ✓ Up to 2 connectors, 16A or 32A, with meters
- ✓ 3 Connectors, 16A, no meters



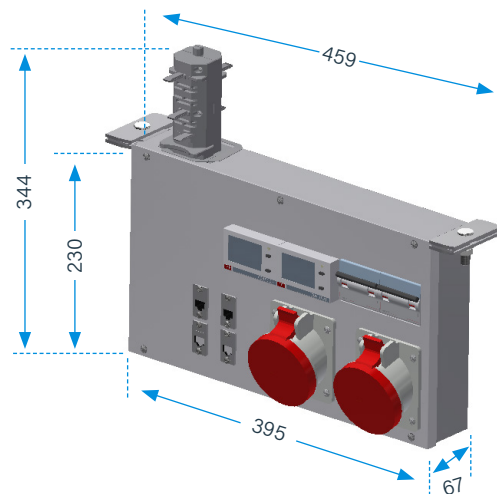
EB9 ENCLOSURE

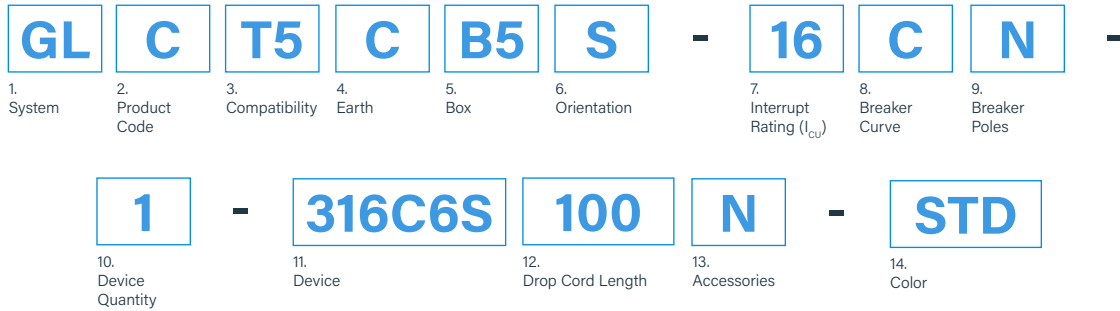
Dimensions(mm):

- ✓ H: 230mm
- ✓ W: 459mm (hanger to hanger)
- ✓ D: 67mm

Configuration Options:

- ✓ Up to 2 Receptacles, 16A or 32A, with meters
- ✓ Up to 2 connectors, 16A or 32A, with meters
- ✓ Up to 3 connectors, 16A, no meters





- 1. System
GL Global Legrand
- 2. Product Code
C Circuit Breaker Unit
- 3. Compatibility
T5
- 4. Earth
C Case grounding (Protective Earth (PE))
G Isolated ground (Functional Earth (FE))
- 5. Box
B5 EB5 Enclosure (see previous page for dimensions)
B6 EB6 Enclosure (see previous page for dimensions)
B9 EB9 Enclosure (see previous page for dimensions)
- 6. Orientation
S Standard polarity **R** Reversed polarity
- 7. Interrupt Rating (I_{cu})
16
- 8. Breaker Curve
C C-Curve
- 9. Breaker Poles
N 1 or 3 pole version
P 2 or 4 pole version

- 10. Device Quantity
If 1 device, choose **1**
If 2 device, choose **2**
If 3 device, choose **3**

- 11. Device
 - 316A6S** 3 Wire, 16 Amp, Angled Receptacle
 - 332A6S** 3 Wire, 32 Amp, Angled Receptacle
 - 516A6S** 5 Wire, 16 Amp, Angled Receptacle
 - 532A6S** 5 Wire, 32 Amp, Angled Receptacle
 - 316C6S** 3 Wire, 16 Amp, Drop Cord Connector
 - 332C6S** 3 Wire, 32 Amp, Drop Cord Connector
 - 516C6S** 5 Wire, 16 Amp, Drop Cord Connector
 - 532C6S** 5 Wire, 32 Amp, Drop Cord Connector

- 12. Drop Cord Length

100	1 meter	400	4 meter
200	2 meter	500	5 meter
300	3 meter	600	6 meter

Applicable for Drop Cord Connector devices (*C6S)
Leave blank for receptacle units

- 13. Meter Quantity = Device Quantity
If 1 device, leave blank

If 2 devices, then Device Quantity and
Meter Quantity = **2**

- 14. Color
STD Paint Factory Silver

Global Legrand Receptacle Tap-Off Options

Amps	No. Wire	No. of devices	Earth	Breaker Neutral Type	Catalog No.	Catalog No. With Meter
16 Amp	3-Wire Receptacle	1	PE	Single Pole	GLCT5CB5S-16CN-1-316A6SN-STD	GLCT5CB6S-16CN-1-316A6SN-M301-STD
				2-Pole	GLCT5CB5S-16CP-1-316A6SN-STD	GLCT5CB6S-16CP-1-316A6SN-M301-STD
			PE + FE	Single Pole	GLCT5GB5S-16CN-1-316A6SN-STD	GLCT5GB6S-16CN-1-316A6SN-M301-STD
				2-Pole	GLCT5GB5S-16CP-1-316A6SN-STD	GLCT5GB6S-16CP-1-316A6SN-M301-STD
		2	PE	Single Pole	GLCT5CB6S-16CN-2-316A6SN-STD	GLCT5CB9S-16CN-2-316A6SN-2M301-STD
				2-Pole	GLCT5CB6S-16CP-2-316A6SN-STD	GLCT5CB9S-16CP-2-316A6SN-2M301-STD
			PE + FE	Single Pole	GLCT5GB6S-16CN-2-316A6SN-STD	GLCT5GB9S-16CN-2-316A6SN-2M301-STD
				2-Pole	GLCT5GB6S-16CP-2-316A6SN-STD	GLCT5GB9S-16CP-2-316A6SN-2M301-STD
	5-Wire Receptacle	1	PE	3-Pole	GLCT5CB6S-16CN-1-516A6SN-STD	GLCT5CB9S-16CN-1-516A6SN-M303-STD
				4-Pole	GLCT5CB6S-16CP-1-516A6SN-STD	GLCT5CB9S-16CP-1-516A6SN-M303-STD
			PE + FE	3-Pole	GLCT5GB6S-16CN-1-516A6SN-STD	GLCT5GB9S-16CN-1-516A6SN-M303-STD
				4-Pole	GLCT5GB6S-16CP-1-516A6SN-STD	GLCT5GB9S-16CP-1-516A6SN-M303-STD
		2	PE	3-Pole	GLCT5CB9S-16CN-2-516A6SN-STD	GLCT5CB9S-16CN-2-516A6SN-2M303-STD
				3-Pole	GLCT5GB9S-16CN-2-516A6SN-STD	GLCT5GB9S-16CN-2-516A6SN-2M303-STD
			PE + FE	3-Pole	GLCT5CB9S-16CN-2-516A6SN-STD	GLCT5CB9S-16CN-2-516A6SN-2M303-STD
				3-Pole	GLCT5GB9S-16CN-2-516A6SN-STD	GLCT5GB9S-16CN-2-516A6SN-2M303-STD
32 Amp	3-Wire Receptacle	1	PE	Single Pole	GLCT5CB5S-16CN-1-332A6SN-STD	GLCT5CB6S-16CN-1-332A6SN-M301-STD
				2-Pole	GLCT5CB5S-16CP-1-332A6SN-STD	GLCT5CB6S-16CP-1-332A6SN-M301-STD
			PE + FE	Single Pole	GLCT5GB5S-16CN-1-332A6SN-STD	GLCT5GB6S-16CN-1-332A6SN-M301-STD
				2-Pole	GLCT5GB5S-16CP-1-332A6SN-STD	GLCT5GB6S-16CP-1-332A6SN-M301-STD
		2	PE	Single Pole	GLCT5CB6S-16CN-2-332A6SN-STD	GLCT5CB9S-16CN-2-332A6SN-2M301-STD
				2-Pole	GLCT5CB6S-16CP-2-332A6SN-STD	GLCT5CB9S-16CP-2-332A6SN-2M301-STD
			PE + FE	Single Pole	GLCT5GB6S-16CN-2-332A6SN-STD	GLCT5GB9S-16CN-2-332A6SN-2M301-STD
				2-Pole	GLCT5GB6S-16CP-2-332A6SN-STD	GLCT5GB9S-16CP-2-332A6SN-2M301-STD
	5-Wire Receptacle	1	PE	3-Pole	GLCT5CB6S-16CN-1-532A6SN-STD	GLCT5CB9S-16CN-1-532A6SN-M303-STD
				4-Pole	GLCT5CB6S-16CP-1-532A6SN-STD	GLCT5CB9S-16CP-1-532A6SN-M303-STD
			PE + FE	3-Pole	GLCT5GB6S-16CN-1-532A6SN-STD	GLCT5GB9S-16CN-1-532A6SN-M303-STD
				4-Pole	GLCT5GB6S-16CP-1-532A6SN-STD	GLCT5GB9S-16CP-1-532A6SN-M303-STD
		2	PE	3-Pole	GLCT5CB9S-16CN-2-532A6SN-STD	GLCT5CB9S-16CN-2-532A6SN-2M303-STD
				3-Pole	GLCT5GB9S-16CN-2-532A6SN-STD	GLCT5GB9S-16CN-2-532A6SN-2M303-STD
			PE + FE	3-Pole	GLCT5CB9S-16CN-2-532A6SN-STD	GLCT5CB9S-16CN-2-532A6SN-2M303-STD
				3-Pole	GLCT5GB9S-16CN-2-532A6SN-STD	GLCT5GB9S-16CN-2-532A6SN-2M303-STD

Global Legrand Drop Cord Tap-Off Options

Amps	No. Wire	No. of devices	Box	Earth	Breaker Neutral Type	Catalog No.	Catalog No. with Meter
16 Amp	3	1	EB5	PE	Single Pole	GLCT5CB5S-16CN-1-316C6SxxxN-STD	GLCT5CB5S-16CN-1-316C6SxxxN-M301-STD
					2-Pole	GLCT5CB5S-16CP-1-316C6SxxxN-STD	GLCT5CB5S-16CP-1-316C6SxxxN-M301-STD
			EB5	PE + FE	Single Pole	GLCT5GB5S-16CN-1-316C6SxxxN-STD	GLCT5GB5S-16CN-1-316C6SxxxN-M301-STD
					2-Pole	GLCT5GB5S-16CP-1-316C6SxxxN-STD	GLCT5GB5S-16CP-1-316C6SxxxN-M301-STD
		2	EB5	PE	Single Pole	GLCT5CB5S-16CN-2-316C6SxxxN-STD	
					2-Pole	GLCT5CB5S-16CP-2-316C6SxxxN-STD	
			EB5	PE + FE	Single Pole	GLCT5GB5S-16CN-2-316C6SxxxN-STD	
					2-Pole	GLCT5GB5S-16CP-2-316C6SxxxN-STD	
		3	EB6	PE	Single Pole	GLCT5CB6S-16CN-3-316C6SxxxN-STD	
					2-Pole	GLCT5CB6S-16CP-3-316C6SxxxN-STD	
			EB6	PE + FE	Single Pole	GLCT5GB6S-16CN-3-316C6SxxxN-STD	
					2-Pole	GLCT5GB6S-16CP-3-316C6SxxxN-STD	
	5	1	EB5	PE	3-Pole	GLCT5CB5S-16CN-1-516C6SxxxN-STD	
					4-Pole	GLCT5CB5S-16CP-1-516C6SxxxN-STD	
			EB5	PE + FE	3-Pole	GLCT5GB5S-16CN-1-516C6SxxxN-STD	
					4-Pole	GLCT5GB5S-16CP-1-516C6SxxxN-STD	
		2	EB6	PE	3-Pole	GLCT5CB6S-16CN-2-516C6SxxxN-STD	
					3-Pole	GLCT5GB6S-16CN-2-516C6SxxxN-STD	
			EB6	PE + FE	3-Pole	GLCT5CB6S-16CN-2-516C6SxxxN-STD	
					3-Pole	GLCT5GB6S-16CN-2-516C6SxxxN-STD	
		3	EB9	PE	3-Pole	GLCT5CB9S-16CN-3-516C6SxxxN-STD	
					3-Pole	GLCT5GB9S-16CN-3-516C6SxxxN-STD	
			EB9	PE + FE	3-Pole	GLCT5CB9S-16CN-3-516C6SxxxN-STD	
					3-Pole	GLCT5GB9S-16CN-3-516C6SxxxN-STD	
32 Amp	3	1	EB5	PE	Single Pole	GLCT5CB5S-16CN-1-332C6SxxxN-STD	GLCT5CB5S-16CN-1-332C6SxxxN-M301-STD
					2-Pole	GLCT5CB5S-16CP-1-332C6SxxxN-STD	GLCT5CB5S-16CP-1-332C6SxxxN-M301-STD
			EB5	PE + FE	Single Pole	GLCT5GB5S-16CN-1-332C6SxxxN-STD	GLCT5GB5S-16CN-1-332C6SxxxN-M301-STD
					2-Pole	GLCT5GB5S-16CP-1-332C6SxxxN-STD	GLCT5GB5S-16CP-1-332C6SxxxN-M301-STD
		2	EB6	PE	Single Pole	GLCT5CB6S-16CN-2-332C6SxxxN-STD	GLCT5CB6S-16CN-2-332C6SxxxN-2M301-STD
					2-Pole	GLCT5CB6S-16CP-2-332C6SxxxN-STD	
			EB6	PE + FE	Single Pole	GLCT5GB6S-16CN-2-332C6SxxxN-STD	GLCT5GB6S-16CN-2-332C6SxxxN-2M301-STD
					2-Pole	GLCT5GB6S-16CP-2-332C6SxxxN-STD	
	5	1	EB6	PE	3-Pole	GLCT5CB6S-16CN-1-532C6SxxxN-STD	GLCT5CB6S-16CN-1-532C6SxxxN-M303-STD
					4-Pole	GLCT5CB6S-16CP-1-532C6SxxxN-STD	
			EB6	PE + FE	3-Pole	GLCT5GB6S-16CN-1-532C6SxxxN-STD	GLCT5GB6S-16CN-1-532C6SxxxN-M303-STD
					4-Pole	GLCT5GB6S-16CP-1-532C6SxxxN-STD	
		2	EB6	PE	3-Pole	GLCT5CB6S-16CN-2-532C6SxxxN-STD	
					3-Pole	GLCT5GB6S-16CN-2-532C6SxxxN-STD	
			EB6	PE + FE	3-Pole	GLCT5CB6S-16CN-2-532C6SxxxN-STD	
					3-Pole	GLCT5GB6S-16CN-2-532C6SxxxN-STD	
					3-Pole	GLCT5CB6S-16CN-2-532C6SxxxN-STD	
					3-Pole	GLCT5GB6S-16CN-2-532C6SxxxN-STD	

*replace XXX with actual length in meter increments from 1-6 meters; For example, 100 = 1 meter)
 Length Code: 100 = 1 meter, 200 = 2 meters, 300 = 3 meters, 400 = 4 meters, 500 = 5 meters, 600 = 6 meters
 Note: For Reversed polarity, replace "S" with "R" in orientation field





North American Headquarters

168 Georgetown Road
Canonsburg, PA 15317 USA
+1 800-245-6378

EMEA

Unit C Island Road
Reading RG2 0RP UK
+44 (0) 1183-043180

Asia Pacific Region

16D Tuas Avenue 1 #04-60/62
JTC Space @ Tuas
Singapore 639536
+65 6950-1247

